

Amana®

**Stainless Steel
Dishwasher**

**User
Maintenance
Instructions**

Read all instructions before using dishwasher.
Keep these instructions for future reference.
If dishwasher changes ownership, be sure this
manual accompanies dishwasher.

Contents

Important Safety Instructions	3
Model Identification	4
Dishwasher-Safe Items	5
Loading Dishwasher	
Preparing Dishes	6
Top Rack	6
Cup Shelf	7
Bottom Rack	7
Cutlery Basket	7
Automatic Dishwasher Detergent	
Water Temperature	8
Automatic Dishwasher Detergent	8
Automatic Dishwasher Detergent Dispenser	8
Automatic Dishwasher Detergent Usage Guide	9
Rinse Aid Dispenser	9
Operating Instructions--Rotary Models	
Operating Instructions	10
Cycle Information	10
Operating Instructions--Electronic Models	
Operating Instructions	11
Indicator Lights	11
Pause	11
Clear/Reset	11
Cycle Information	12
Care and Cleaning	
Dishwasher	13
Dishware	13
Filters	14
Spray Arm	14
Light Bulb	14
Vacation Tips	14
Before Calling for Service	14
Factory Service Centers	15
Asure™ Extended Service Plan	15
Warranty	16

Important Safety Instructions



RECOGNIZE THIS SYMBOL AS A SAFETY PRECAUTION



WARNING

To avoid personal injury or property damage, observe the following:

1. Read all instructions before using dishwasher.
2. Use dishwasher only for its intended purpose.
3. Use only detergents and wetting agents recommended for use in a dishwasher.
4. Keep automatic dishwasher detergents and wetting agents out of reach of children.
5. Load sharp knives so knives do not touch door seal.
6. Load knives in cutlery basket with handles up.
7. Do not place plastic dishware in dishwasher unless marked "dishwasher safe" or equivalent. For plastic dishware not marked, check manufacturer's recommendations.
8. Do not touch heating element during or immediately after use.
9. Do not operate dishwasher unless all enclosure panels are properly in place.
10. Do not tamper with controls.
11. Do not abuse, sit on, or stand on door or dishrack of dishwasher.
12. Do not allow children to play in or on dishwasher.



DANGER

To avoid death or severe personal injury, connect dishwasher to a grounded metal, permanent wiring system.

OR

Run an equipment grounding conductor with circuit conductors and connect to equipment grounding terminal or lead on appliance.

Operate dishwasher on a separate grounded 120 volt, 15 amp., 60 cycle line.



WARNING

To avoid death, severe personal injury or property damage, observe the following:

Hydrogen gas can accumulate in water heater and/or water pipes if hot water system has not been used for two weeks. **HYDROGEN GAS IS EXPLOSIVE.** Before using dishwasher, turn on all hot water faucets and let water flow for several minutes. This will release any accumulated hydrogen gas. Gas is flammable, do not smoke or use an open flame during this time.



WARNING

To avoid death or severe personal injury, remove dishwasher door when discarding old dishwasher.

SAVE THESE INSTRUCTIONS

Model Identification

Please read these User Maintenance Instructions thoroughly. This manual provides proper maintenance information. Any questions, call the Consumer Affairs Department at **1-800-843-0304** inside U.S.A. and **1-319-622-5511** outside U.S.A.

Complete enclosed registration card and promptly return. If registration card is missing, call the Consumer Affairs Department.

When contacting Amana, provide product information. Locate product information on the nameplate, located on top left corner of dishwasher door. Record the following information:

Model Number: _____

Manufacturing Number: _____

S/N or Serial Number: _____

Date of purchase: _____

Dealer's name and address: _____

Keep a copy of sales receipt for future reference.

Locate an authorized servicer by calling **1-800-NATLSVC (628-5782)** inside U.S.A. and **319-622-5511** outside U.S.A. Warranty service must be performed by an **authorized** servicer. Amana also recommends contacting an **authorized** servicer if service is required after warranty expires.

Amana offers a complete line of appliances...freezers, ranges, cooktops, wall ovens, microwave ovens, dishwashers, washers and dryers. Amana also manufactures a complete selection of high efficiency gas furnaces plus both central and room air conditioners. When buying one of these products, choose Amana®.

Enjoy this new dishwasher.

Dishwasher-Safe Items

Material	Usually Safe	Exceptions	Special Instructions
Aluminum	Yes	Some colored anodized aluminum can fade.	Some darkening or spotting possible. Remove by scouring with soap-filled steel wool pads.
China/Stoneware	Yes	Antique, metal-trimmed, handpainted or over-the-glaze patterns fade. Gold leaf will discolor.	If in doubt, check with china/stoneware manufacturer or test wash one piece daily for at least a month. Compare with rest of set.
Crystal	Yes	Antique, metal-trimmed or handpainted patterns fade. Gold leaf will discolor.	Load securely to prevent movement. Check crystal manufacturer's instructions.
Glass	Yes	Milk glass may yellow.	
Iron	No	Iron will rust.	
Nondishware such as filters, etc.	No		Damage to dishwasher and discoloration or staining of dishwasher may result.
Nonstick coatings	Yes		After washing, wipe nonstick coating with vegetable oil to keep coating from losing nonstick quality.
Pewter	No	Pewter tarnishes.	
Plastics	Yes		If plastic does not say "dishwasher safe", test one piece before washing entire set.
Stainless steel	Yes		Rinse if not washing immediately. Salty or acid foods can stain if left on.
Sterling silver and silver plate	Yes	Contact with stainless steel dishware can damage silver. Washing with copper can leave a brown film on silver.	Rinse if not washing immediately. Salty or acid foods can stain if left on. Powder detergent can cause black spots. Avoid placing under detergent dispenser.
Tin	No	Tin can rust.	
Wood	No	Wood can crack, warp or lose its finish.	

Loading Dishwasher

Preparing Dishes

Pre-rinsing of normal food soils is not necessary but may minimize filter build up.

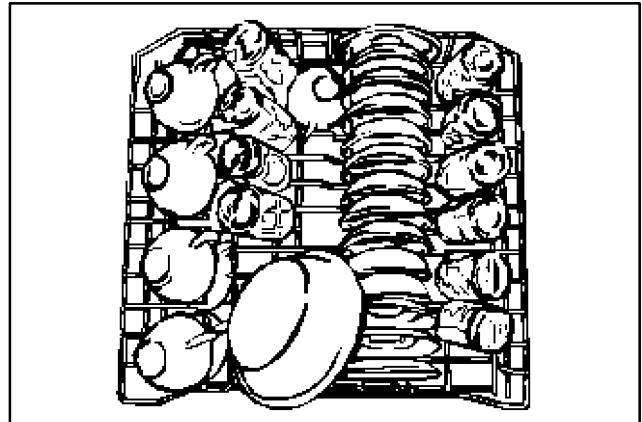


Caution

To avoid damage to pump, remove solids such as bones, meat trimmings, rinds, seeds, skins, or toothpicks.

Top Rack

Top rack is for delicate, plastic or small dishware. Glasses fit best along the sides. Place sauce pans, mixing bowls and other dishware face down.



WARNING

To avoid personal injury or property damage, do not place plastic dishware in dishwasher unless marked "dishwasher safe" or equivalent. For plastic dishware not marked, check manufacturer's recommendations.

Adjusting Top Rack

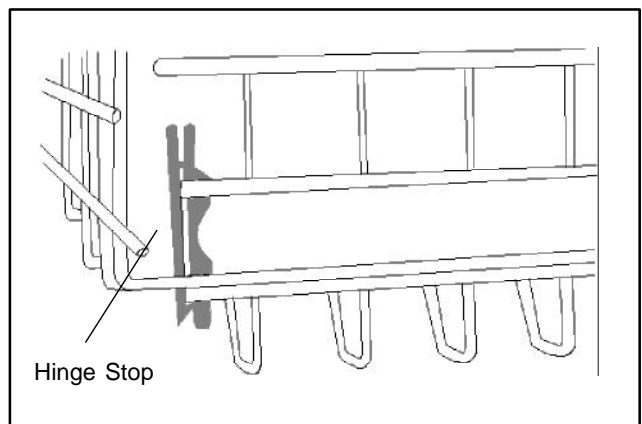
Top rack can be adjusted for taller items.



Caution

To avoid personal injury, use care when adjusting top rack. Ends of top rack rails are sharp when hinge stops are removed.

- Locate hinge stops at end of top rack rails. Remove hinge stops by lifting hinge stops. Remove rack by sliding rack out.
- Replace rack by sliding in using upper set of rollers. Replace hinge stops by sliding hinge stops down.



Cup Shelf

Cup shelf features a fold down shelf for two levels of smaller dishware. Cup shelf also secures stemware.

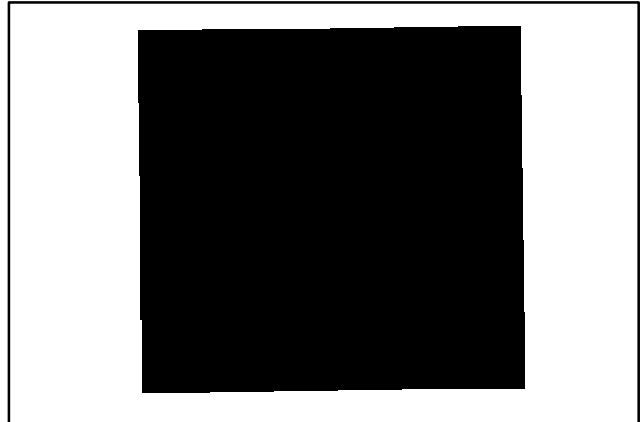
Bottom Rack

Bottom rack is best for heavily soiled dishware. Fit plates and saucers between tines. Load dishware with soiled side facing center. Prop broiler pans and racks along edge.

Bottom rack has four removable sets of tines for larger items.

Important

- Do not load large dishware in left front corner of bottom rack. Large dishware prevents detergent from circulating in wash cycle.
- Do not block wash tower or load tall dishware next to wash tower. Dishware must not prevent wash tower from rotating freely.
- Do not let dishware extend through bottom rack. This could block wash arm and cause poor washing results.



Cutlery Basket

Load cutlery basket evenly with dishware mixed. Small plastic dishware such as measuring spoons and lids are not recommended for automatic dishwashing. If placed in dishwasher, these items should be placed in end compartments with lid closed.



WARNING

To avoid personal injury or property damage, load sharp knives so knives do not touch door seal. Load knives in cutlery basket with handles up.

Important

Take out anything that might fall or extend through the bottom of basket.

Detergent

Water Temperature



Caution

To avoid personal injury, observe the following:

- Avoid exposure to steam when opening door.
- Allow stainless steel surfaces, dishware and utensils to cool before handling.

Hot water is needed to activate detergent. Entering water temperature must be at least 120°F. Enhance wash performance by increasing water temperature to 130°F. or 140°F. However, water temperature should not exceed 170°F. Check water temperature with a candy or meat thermometer. Turn on hot water faucet nearest dishwasher. Put thermometer in a glass and let water run continuously into glass until temperature stops rising.

If water temperature is below 120°F, adjust water heater. If water is less than 120°F and water heater cannot be adjusted, select a longer cycle or water temperature boost and fill both detergent dispensers at least half full with detergent. If outside temperatures are unusually low, or if water travels a long distance from water heater to dishwasher, increase water heater temperature. If hot water has not been used for several hours, water in pipes may be cold. Turn on hot water faucet and allow water to run until hot then start dishwasher. If a lot of hot water was used recently, allow water heater time to recover before operating dishwasher.

Automatic Dishwasher Detergent



WARNING

To avoid property damage, use only detergents or wetting agents recommended for use in a dishwasher.

1. Check phosphate content. Phosphates help remove food deposits and prevent hard water from forming spots or film on dishes. Automatic dishwasher detergents with a higher phosphate level usually clean better. If phosphate content is low (8.7% or less), use more detergent.
2. Keep automatic dishwasher detergent fresh and dry. Do not store powder detergent under sink because there is too much moisture. Do not put powder detergent into dispenser until ready to wash. If powder detergent gets old or lumpy, throw detergent away.



WARNING

To avoid personal injury, keep automatic dishwasher detergents and wetting agents out of reach of children.

Automatic Dishwasher Detergent Dispenser

Use automatic dishwasher detergent dispenser for all wash programs except *Rinse and Hold*.

1. Open dispenser by pressing latch located on edge of lid. Add automatic dishwasher detergent.
2. Close dispenser.

Important

When load consists of heavily soiled dishware, place extra automatic dishwasher detergent in reserve dispenser located to the left of main dispenser.

Automatic Dishwasher Detergent Usage Guide (Cycles vary from model to model)

Soft Water (0-3 Grains per Gallon)

Cycles	Main Dispenser	Reserve Dispenser
<i>Pots and Pans/Heavy Wash</i>	1 Tablespoon minimum	1 Tablespoon minimum
<i>Normal Wash</i>	1 Tablespoon minimum	1 Tablespoon minimum
<i>Light Wash/Short Wash</i>	1 Tablespoon minimum	Optional*

Hard Water (4-10 Grains per Gallon)

Cycles	Main Dispenser	Reserve Dispenser
<i>Pots and Pans/Heavy Wash</i>	1 1/2 Tablespoon minimum	1 Tablespoon minimum
<i>Normal Wash</i>	1 1/2 Tablespoon minimum	1 Tablespoon minimum
<i>Light Wash/Short Wash</i>	1 1/2 Tablespoon minimum	Optional*

Extremely Hard Water (Over 10 Grains per Gallon)

Cycles	Main Dispenser	Reserve Dispenser
<i>Pots and Pans/Heavy Wash</i>	3 Tablespoon minimum	2 Tablespoon minimum
<i>Heavy Wash</i>	3 Tablespoon minimum	2 Tablespoon minimum
<i>Normal Wash</i>	3 Tablespoon minimum	2 Tablespoon minimum
<i>Light Wash/Short Wash</i>	3 Tablespoon minimum	Optional*

A water softener should be installed if water hardness is over 19 grains per gallon.

*Place automatic dishwasher detergent in reserve dispenser if an extra wash is desired.

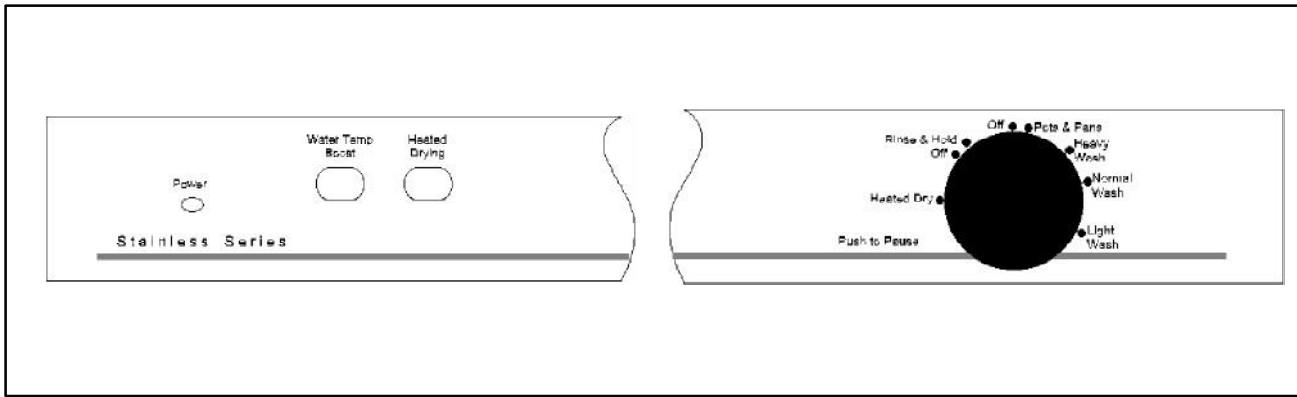
Rinse Aid Dispenser

Rinse aid reduces spots on dishes and interior walls and improves drying. Rinse aid dispenser holds 4 1/2 ounces. This should last approximately three months. Fill as needed but do not overfill.

Recommended rinse aid setting is 4, maximum setting is 6.

1. Fill rinse aid dispenser by turning dispenser cap counterclockwise and lifting.
2. Add liquid rinse aid until liquid reaches bottom lip inside dispenser opening.
3. Replace dispenser cap. Dispenser automatically releases rinse aid into final rinse water.
4. Wipe up spilled rinse aid with a damp cloth. Do not leave spilled rinse aid in dishwasher. Spilled rinse aid may prevent detergent from working properly and may cause foaming.

Operating Instructions -- Rotary Models



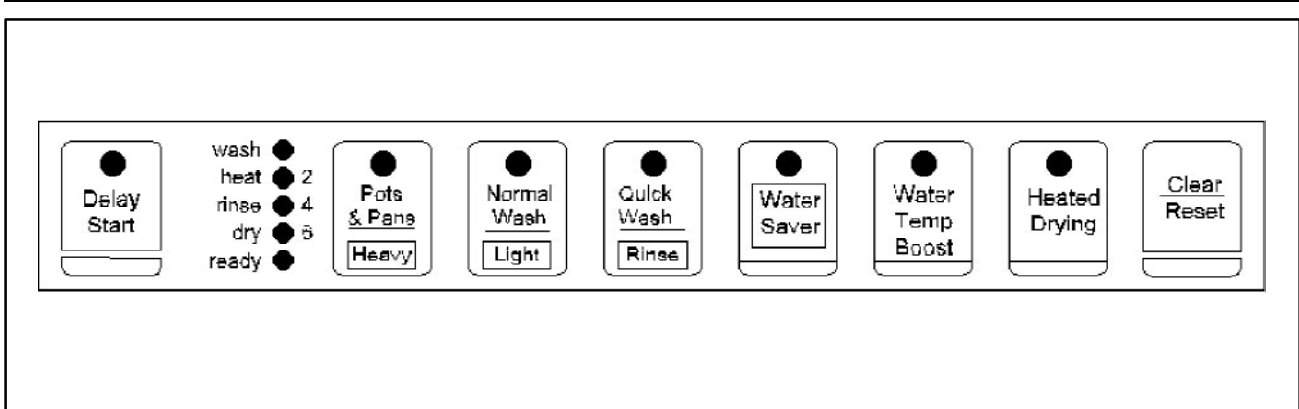
Operating Instructions

1. Push *Water Temp Boost* button, if desired.
2. Push *Heated Drying* button, if desired.
3. Turn knob to appropriate setting.
4. Pull knob out.

Cycle Information

Cycle	Sequence	Approximate Water Usage (Gallons)	Approximate Cycle Time (Minutes)
<i>Pots & Pans</i> Use for excessively soiled items.	Prewash, Prewash, Prewash, Wash, Rinse, Rinse	11.1	85
<i>Pots & Pans with Water Temperature Boost</i>	Prewash, Prewash, Prewash, Wash, Rinse, Rinse, Rinse	12.9	124
<i>Heavy Wash</i> Use for heavily soiled items.	Prewash, Prewash, Wash, Rinse, Rinse	9.3	77
<i>Heavy Wash with Water Temperature Boost</i>	Prewash, Prewash, Wash, Rinse, Rinse, Rinse	11.1	107
<i>Normal Wash</i> Use for average soiled items.	Prewash, Wash, Rinse, Rinse,	7.4	74
<i>Normal Wash with Water Temperature Boost</i>	Prewash, Wash, Rinse, Rinse, Rinse	9.3	105
<i>Light Wash</i> Use for lightly soiled items.	Wash, Rinse, Rinse	5.6	69
<i>Light Wash with Water Temperature Boost</i>	Wash, Rinse, Rinse, Rinse	7.4	99
<i>Rinse & Hold</i> Use to prevent dried food on items.	Rinse	1.9	8
<i>Heated Drying</i> Use for fast drying.			13

Operating Instructions - Electronic Models



Operating Instructions

1. Press *Delay Start* pad if delay is desired. Dishwasher will start in two hours. Press pad again to delay start in two hour increments up to six hours. Indicator light will flash.
2. ***Pots & Pans, Normal Wash and Quick Wash Cycles***
Select *Pots & Pans*, *Normal Wash* or *Quick Wash* cycle by pressing corresponding cycle pad.
Heavy Wash, Light Wash and Rinse Cycles
Select *Heavy Wash*, *Light Wash* or *Rinse* cycle by pressing *Water Saver* pad then corresponding cycle pad.
3. Press *Water Temp Boost* pad, if desired.
4. Press *Heated Drying* pad, if desired.

Indicator Lights

- An indicator light comes on above the pad and a beep sounds whenever a pad is pressed.
 - An indicator light comes on when a cycle is in the following stages:
 - Wash*
 - Heat*
 - Rinse*
 - Dry*
 - Ready*
- Cycle is complete when ready light is on.

Pause

1. Pause dishwasher by pressing previously selected cycle pad. Dishwasher will stop and all progress indicator lights will flash.
2. Restart dishwasher by pressing previously selected cycle pad again. Indicator lights will stop flashing and dishwasher will continue.

Clear/Reset

Change settings by doing one of the following:

1. Press the desire pad(s) within 15 seconds of pressing previous pad.
2. Refer to "Pause" section to pause dishwasher then press *Clear/Reset* pad.

Cycle Information

Cycle	Sequence	Approximate Water Usage (Gallons)	Approximate Cycle Time (Minutes)
<i>Pots & Pans</i> Use for excessively soiled items.	Prewash, Prewash, Prewash, Wash, Rinse, Rinse	11.1	81
<i>Pots & Pans with Water Temperature Boost</i>	Prewash, Prewash, Prewash, Wash, Rinse, Rinse, Rinse	12.9	116
<i>Heavy Wash</i> Use for heavily soiled items.	Prewash, Prewash, Wash, Rinse, Rinse	9.3	78
<i>Heavy Wash with Water Temperature Boost</i>	Prewash, Prewash, Wash, Rinse, Rinse, Rinse	11.1	111
<i>Normal Wash</i> Use for average soiled items.	Prewash, Wash, Rinse, Rinse	7.4	64
<i>Normal Wash with Water Temperature Boost</i>	Prewash, Wash, Rinse, Rinse, Rinse	9.3	84
<i>Light Wash</i> Use for lightly soiled items.	Wash, Rinse, Rinse	5.6	58
<i>Light Wash with Water Temperature Boost</i>	Wash, Rinse, Rinse, Rinse	7.4	78
<i>Quick Wash</i> Use for a quick cycle.	Prewash, Wash, Rinse	5.6	38
<i>Quick Wash with Water Temperature Boost</i>	Prewash, Wash, Rinse, Rinse	7.4	55
<i>Rinse</i> Use to prevent dried food on items.	Rinse	1.9	7
<i>Rinse with Water Temperature Boost</i>	Rinse, Rinse	3.7	20
<i>Heated Drying</i> Use for fast drying.			11

Care and Cleaning

Dishwasher

- Wash interior surfaces with four tablespoons baking soda dissolved in one quart warm water and a soft, clean cloth.
- Rinse surfaces with warm water. Dry surfaces with a soft, clean cloth.
- Remove spots or film on tub or door liner by starting empty dishwasher and allowing dishwasher to run 15 to 20 minutes. Open door and pour two cups (500 milliliters) of white vinegar into bottom of dishwasher. Close door and allow dishwasher to finish cycle. If vinegar does not remove spots or film sufficiently, repeat above procedure using 1/4 cup (60 milliliters) of citric acid crystals instead of vinegar.
- Remove yellow or brown film on tub or door liner with a commercial product such as Glisten.
- Do not use following items:
 - abrasive or harsh cleaners, ammonia, chlorine bleach, etc.
 - concentrated detergents
 - solvents
 - metal scouring padsThese items can scratch, crack and discolor surfaces.

Dishware

Dishware is not clean

- Confirm water temperature is above 120°F.
- Select water temperature boost.
- Check water pressure.
- Check air gap.
- Confirm dishwasher is loaded properly.
- Confirm automatic dishwasher detergent is not old or wet.
- Check phosphate level of automatic dishwasher detergent.
- Add automatic dishwasher detergent to reserve dispenser.
- Select a longer cycle.
- Check level of rinse aid in dispenser.

Black or grey marks appear on dishware

- Confirm dishwasher is loaded properly. Aluminum dishware can leave marks on other dishware.

Yellow or brown film appears on dishware

- Check amount of iron in water.
- Film can be caused by tea or coffee. Remove film by hand soaking dishware in a solution of 1/2 cup bleach and 3 cups warm water.
- Film can also be a result of washing with copper dishware. Remove film with a silver polish.

Spotting or filming appears on dishware

- Check water hardness. Refer to "Automatic Dishwasher Detergent Usage Guide" section for recommended amount of automatic dishwasher detergent.
- Confirm water temperature is above 120°F.
- Confirm dishwasher is loaded properly.
- Confirm automatic dishwasher detergent is not old or wet.
- Check phosphate level of automatic dishwasher detergent.
- Check amount of automatic dishwasher detergent.
- Check level of rinse aid in dispenser.
- Remove spots or film by removing all metal items from dishwasher. Start dishwasher and allow dishwasher to run 15 to 20 minutes. Open door and pour two cups (500 milliliters) of white vinegar into bottom of dishwasher. Close door and allow dishwasher to finish cycle. If vinegar does not remove spots or film sufficiently, repeat above procedure using 1/4 cup (60 milliliters) of citric acid crystals instead of vinegar.

Cloudiness appears on dishware

- See spotting or filming section.
- Cloudiness may be etching. Etching cannot be removed.

Dishware is chipped

- Confirm dishwasher is loaded properly.

Dishware is not dry

- Confirm water temperature is above 120°F.
- Confirm dishwasher is loaded properly.
- Unload bottom rack first. Water from dishes in top rack may be spilling.
- Check level of rinse aid in dispenser.

Vacation Tips

Filters

Check all three filters after each use and clean if necessary. Locate filters in bottom right front corner of dishwasher tub. If clogged, rinse filters clean under running water. When filters are removed, water should be present.

- Remove each drain filter by lifting.
- Replace each drain filter by reversing step.

Spray Arm

Remove spray arm assemblies every six months to confirm holes are not blocked.

- Remove upper spray arm by pulling top rack forward until rack stops. Turn assembly 90 ° either clockwise or counterclockwise and pull assembly through rack.
- Replace upper spray arm by reversing step.

Important

Do not remove tower from spray arm assembly.

- Remove lower spray arm by lifting center.
- Replace lower spray arm by reversing step.

Important

Do not remove plastic nozzle from spray arm.

Water pressure can be decreased to vary overall strength of wash cycles. Decrease water pressure by turning grey lever, located at water tower base, to the left.

Light Bulb (electronic models only)



WARNING

To avoid electrical shock which can cause severe personal injury or death, disconnect power to dishwasher before replacing light bulb. After replacing light bulb, restore power.



Caution

To avoid personal injury or property damage, observe the following:

- Allow light bulb to cool.
- Wear gloves when replacing light bulb.

Locate light bulb on upper rear left corner of dishwasher tub. Replace bulb with 15-watt appliance bulb.

- Remove light bulb cover by turning counterclockwise then pulling down.
- Replace by reversing step.

For long vacations, do the following:

1. Clean dishwasher including gaskets
2. Prop doors open, so air can circulate inside.

Before Calling for Service

Dishwasher will not operate

- Check fuse or circuit breaker.

Detergent is left in dispenser

- Confirm dishwasher is loaded properly.
- Open dispenser and remove any hardened automatic dishwasher detergent.
- Confirm automatic dishwasher detergent is not old or wet.

Dishwasher makes unfamiliar sounds

- Confirm items are secure in dishwasher. Water may be causing items to rattle.
- If dishwasher has not been used regularly, set dishwasher to fill and pump out once every week. This will keep seals moist.

Small amount of water is standing in tub

- This is normal and keeps water seal lubricated.

Water will not pump out of tub

- Check air gap.
- Confirm sink is draining well.
- Run disposer if dishwasher is connected to disposal.

Suds are in tub

- Confirm detergent is for automatic dishwashers. Remove suds by opening door and letting suds evaporate. Add a gallon of cold water. Close door. Pump out water by turning control dial until a drain period is reached.

Dishwasher leaks

- Confirm detergent is for automatic dishwashers.
- Confirm rinse aid dispenser is filled properly and any spills are wiped up.

Factory Service Centers

Listed below are Factory Service Centers which service most metropolitan and surrounding areas. Amana also has a network of independent authorized servicers. Locate a Factory Service Center or independent servicer by calling **1-800-NATLSVC (628-5782)** inside U.S.A. and **319-622-5511** outside U.S.A. When contacting Amana, provide **product information**. Locate product information on the nameplate, located in upper left corner of dishwasher tub. Warranty service must be performed by an **authorized** servicer. Amana also recommends contacting an **authorized** servicer if service is required after warranty expires.

- **Amana Factory Service Center Arizona**
Also dispatches service in areas of Nevada
- **Amana Factory Service Center Northern California**
- **Amana Factory Service Center Southern California**
- **Amana Factory Service Center Colorado**
Also dispatches service in areas of Utah
- **Amana Factory Service Center Florida**
- **Amana Factory Service Center Georgia**
Also dispatches service in areas of Alabama, North Carolina, South Carolina and Tennessee
- **Amana Factory Service Center Iowa**
Also dispatches service in areas of Kansas, Minnesota, Missouri and Wisconsin
- **Amana Factory Service Center Illinois**
Also dispatches service in areas of Indiana and Kentucky
- **Amana Factory Service Center Massachusetts**
Also dispatches service in areas of New Hampshire and Rhode Island
- **Amana Factory Service Center Maryland**
Also dispatches service in areas of Pennsylvania, Virginia and Washington D.C.
- **Amana Factory Service Center New York**
Also dispatches service in areas of Connecticut and New Jersey
- **Amana Factory Service Center Ohio**
Also dispatches service in areas of Michigan and Pennsylvania
- **Amana Factory Service Center Texas**
- **Amana Factory Service Center Washington**
Also dispatches service in areas of Oregon

Asure™ Extended Service Plan

Amana is pleased to offer long-term service protection on this new dishwasher. Asure Extended Service Plan is specially designed to supplement Amana's strong warranty. Asure provides budget-protecting coverage on dishwasher for up to five full years and includes parts, labor and travel charges. A participating Amana dealer has details.

Warranty

**STAINLESS STEEL DISHWASHER
FULL ONE YEAR WARRANTY
LIMITED SECOND YEAR WARRANTY ON WATER DISTRIBUTION SYSTEM
FULL TWENTY FIVE YEAR WARRANTY ON TUB AND INNER DOOR LINER**

FIRST YEAR

Amana will repair or replace, free of charge, any part which is defective due to workmanship or materials.

SECOND YEAR

Amana will provide a free replacement part, f.o.b. Amana, Iowa, for any defective water distribution system component (boot, connecting hose, hub connection assembly, pump, pump motor, soft food disposer, upper wash arm, wash arm and wash tower) which is defective due to workmanship or materials.

SECOND THROUGH TWENTY FIFTH YEAR

Amana will repair or replace, free of charge, any defective tub or inner door liner which is defective due to workmanship or materials.

WARRANTY LIMITATIONS:

- Begins at date of original purchase.
- Applies to product used within the United States or in Canada if product has Canadian Standards Association listing when shipped from the factory.
- Service must be performed by an authorized Amana servicer.

WARRANTY IS VOID IF:

- Nameplate is defaced.
- Product is used on a commercial, rental or leased basis.
- Product has defect or damage due to product alteration, connection to an improper electrical supply, shipping and handling, accident, fire, flood, lightning or other conditions beyond the control of Amana Refrigeration, Inc.
- Product is improperly installed or used.

OWNER'S RESPONSIBILITIES:

- Provide proof of purchase (sales receipt).
- Provide normal care and maintenance. Replace owner replaceable items where directions appear in user maintenance instructions and installation instructions.
- Make the product reasonably accessible for service.
- Pay for premium service costs for service outside servicer's normal business hours.
- Pay for service calls related to product installation or usage.

IN NO EVENT SHALL AMANA BE LIABLE FOR INCIDENTAL OR CONSEQUENTIAL DAMAGES*

*This warranty gives you specific legal rights and you may have others which vary from state to state. For example, some states do not allow the exclusion or limitation of incidental or consequential damages so this exclusion may not apply to you.

For answers to questions regarding the above or to locate an authorized servicer, contact:

Amana Refrigeration, Inc.
2800 220th Trail
PO Box 8901
Amana, Iowa 52204-0001
1-800-843-0304 if inside U.S.A.
1-319-622-5511 if outside U.S.A.